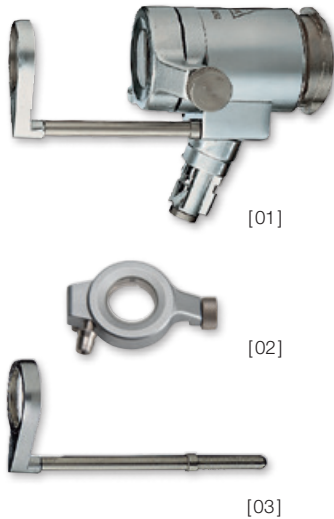


We bring  
**LIGHT**  
into  
the dark.



## Instrument head for HEINE UniSpec® tubes



Illumination by fiber optic cable and projector or 3.5V BETA handle with illumination adaptor see accessories on page 097.

- ∴ **Annular fiber optic illumination.** Bright, reflex-free illumination.
- ∴ **Magnifying lens 1.5x.** High-resolution image.
- ∴ **Hinged viewing window with insufflation port.** Improved vision by insufflation.
- ∴ **Stainless steel.**

### Instrument head for UniSpec disposable tubes

complete with viewing window and swivel lens 1,5x [01]	<b>E-003.18.100</b>
without viewing window and swivel lens	<b>E-003.18.098</b>
Viewing window only [02]	<b>E-003.18.099</b>
Swivel lens 1.5x, only (for sigmoidoscopes) [03]	<b>E-003.18.096</b>
same, but 1.8x (only suitable for proctoscopes and anoscopes)	<b>E-003.19.099</b>

## HEINE UniSpec® disposable tubes



85x20mm    130x20mm    250x20mm

- ∴ **Disposable.** No cross-infection.
- ∴ **No cleaning required.** Saves time.
- ∴ **Moulded in patient-friendly thermoplastic.**  
No cold sensation on insertion.
- ∴ **Light transmission through the tube wall.** Distal annular light exit.  
Bright, homogeneous illumination of the area examined, reflex reduction.
- ∴ **Graduated inside the tube for patient comfort.** Indication of insertion length.

### UniSpec disposable anoscopes (85 x 20 mm)

Pack of 25 disposable anoscopes	<b>E-003.19.925</b>
Box of 100 (4 packs of 25) anoscopes	<b>E-003.19.911</b>

### UniSpec disposable proctoscopes (130 x 20 mm)

Pack of 25 disposable proctoscopes	<b>E-003.19.825</b>
Box of 100 (4 packs of 25) proctoscopes	<b>E-003.19.811</b>

### UniSpec disposable sigmoidoscopes (250 x 20 mm)

Pack of 25 disposable sigmoidoscopes	<b>E-003.18.825</b>
Box of 100 (4 packs of 25) sigmoidoscopes	<b>E-003.18.811</b>

⊗: Single use only.

### Hygiene filter



∴ **Disposable hygiene filter** minimises contamination of the double bulb insufflator.

Disposable hygiene filters 25 pcs/pack

**E-000.18.116**

### HEINE illumination adaptor



Can be attached to any HEINE 3.5V power source to illuminate any HEINE fiber optic instrument, e.g. anoscope, proctoscope or sigmoidoscope.

**Illumination adaptor**

**3.5V XHL**

Illumination adaptor

**X-002.98.002**

XHL xenon halogen spare bulb

**X-002.88.078**

