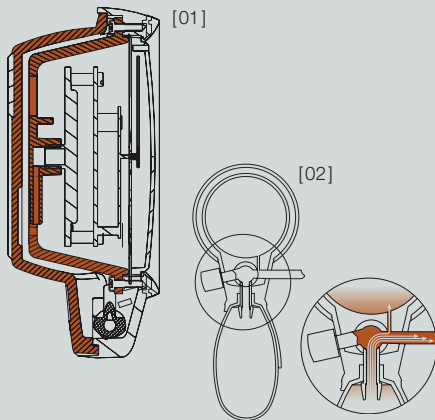


**It's sure  
to increase  
your  
HEARTBEAT.  
Out of pure  
JOY.**





## SHOCKPROOF



## SHOCKPROOF

**[01] Shockproof double-walled construction with unique manometer protection.**

The robust double-walled construction with a unique triple manometer mount gives ideal protection against shocks. Meets the requirements of european standard EN ISO 81060-1 and ANSI/AAMI/ISO 81060-1.

## AIR PRESSURE DISTRIBUTION SYSTEM

**[02] Single-tube construction with an innovative air pressure distribution**

**system.** The valve construction provides ideal air pressure conditions to absorb pressure peaks in the air flow to the manometer during inflation. This advantage was only possible until now with twin-tube systems.



CLINICAL APPROVAL

## HEINE GAMMA® G7

The model with aluminium alloy construction and precision valve



- ∴ Shockproof.
- ∴ Latex-free.
- ∴ Unique pressure measuring system.
- ∴ Pressure-proof manometer. Ensures durability and reliability.
- ∴ Micro filter. Protects valve and manometer.
- ∴ Large diameter scale. 56mm diameter black-on-white scale is easy to read.
- ∴ High quality indicator. Precisely calibrated, durable and shock resistant.
- ∴ Large insufflation bulb. 50 % larger bulb volume for fast inflation of the cuff.
- ∴ Exclusive air-release valve. Provides fine and precise air release rate adjustment, quick deflation, and extreme durability. A rubber-stop prevents valve-lock.
- ∴ Upper housing made of aluminium alloy with a shock absorbing ring protecting indicator and glass.
- ∴ Lower housing is moulded of shockproof plastic with shock absorbing, anti-slip coating.
- ∴ Light alloy, adjustable spoon. For both right- or left-handed operation.
- ∴ High quality, single-tube cuff with velcro fastener. Washable.
- ∴ Ergonomic design: G7 is perfectly balanced for comfort and ease of use.
- ∴ 10 year guarantee.\*

\*against defects in design, materials and workmanship for a period of 10 years from the date of purchase.

## GAMMA G7

complete with adult cuff, in zipper pouch	M-000.09.232
complete with child cuff, in zipper pouch	M-000.09.233
Practice kit with child, adult and small adult cuff in zipper pouch	M-000.09.554
complete with adult cuff without zipper pouch, box of 10	M-000.09.560

HEINE GAMMA® G5

**The HEINE standard sphygmomanometer**



Combines all design and quality features of the GAMMA G7, except:

- ∴ **Housing is moulded of shockproof plastic** with shock absorbing, anti-slip coating.
- ∴ **Adjustable spoon (plastic).** For both right or left-handed operation.
- ∴ **5 year guarantee.\***

\*against defects in design, materials and workmanship for a period of 5 years from the date of purchase.

GAMMA G5	
complete with adult cuff, in zipper pouch	<b>M-000.09.230</b>
complete with child cuff, in zipper pouch	<b>M-000.09.231</b>
Practice kit with child, adult and small adult cuff in zipper pouch	<b>M-000.09.555</b>
complete with adult cuff without zipper pouch, box of 10	<b>M-000.09.561</b>

HEINE GAMMA® GP

**The HEINE standard sphygmomanometer with push-button valve**



Combines all design and quality features of the GAMMA G5, but with a push-button valve:

- ∴ **Innovative push-button valve.** Fine and precise air-release rate adjustment, ultra-fast air-release, practically wear-free. Easy to operate by both left and right-handed users.
- ∴ **5 year guarantee.\***

\*against defects in design, materials and workmanship for a period of 5 years from the date of purchase.

GAMMA GP	
complete with adult cuff, in zipper pouch	<b>M-000.09.242</b>
complete with child cuff, in zipper pouch	<b>M-000.09.243</b>
Practice kit with child, adult and small adult cuff in zipper pouch	<b>M-000.09.556</b>
complete with adult cuff without zipper pouch, box of 10	<b>M-000.09.562</b>

## HEINE GAMMA® XXL LF

## The top-quality professional model

Since the GAMMA XXL LF is non-mercurial, it is both safe and environmentally-friendly.



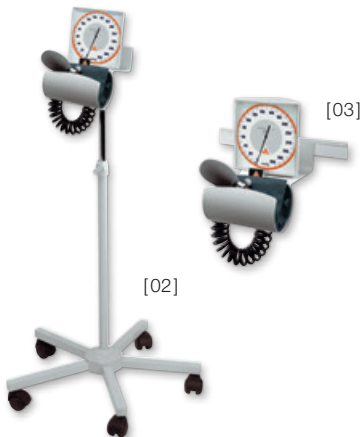
[01]

- ∴ **Latex-free.**
- ∴ **Durable polycarbonate construction.** Will hold up in the busiest hospital and practice environments.
- ∴ **Oversized 130 mm diameter scale.** Can be pivoted for clear, easy reading from any angle.
- ∴ **Long spiral inflation tube (3 m).** For increased working distance.
- ∴ **High quality indicator.** Precisely-calibrated and durable.
- ∴ **Precision air-release valve.** Fine and precise air release.
- ∴ **Maintenance-free,** precise and durable manometer.
- ∴ **Mercury-free.** Environmentally friendly.
- ∴ **Wall, desk, rail and wheeled stand.** Adjustable height.
- ∴ **10 year guarantee.\***

\*against defects in design, materials and workmanship for a period of 10 years from the date of purchase.

## GAMMA XXL LF

LF-W wall complete with adult cuff [01]	M-000.09.323
LF-S wheeled stand complete with adult cuff [02]	M-000.09.326
LF-R rail complete with adult cuff [03]	M-000.09.325
LF-T desk (non-spiral insufflation tube) complete with adult cuff [04]	M-000.09.322
GAMMA XXL LF-WB for wallboard, see page 130 [05]	M-000.09.327



[02]

[03]

## Accessories

Cuff-holder for GAMMA XXL LF-T	M-000.09.141
Desk stand for GAMMA XXL LF-T	M-000.09.142
Adjustable wheeled stand for GAMMA XXL LF-S (Height 80 – 125 cm)	M-000.09.145
Universal mounting plate for GAMMA XXL LF-W, -S, -R	M-000.09.306
Rail clamp for GAMMA XXL LF-R	M-000.09.307



[04]



[05]

Blood-pressure cuffs

Latex-free blood-pressure cuffs

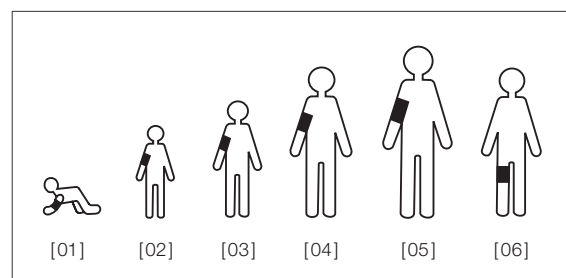


Cuffs for GAMMA G7/G5/GP/XXL LF sphygmomanometers.

- ∴ Latex-free.
- ∴ Fit the most widely used sphygmomanometers.
- ∴ High-quality velcro cuffs made of wear-resistant material. Physiologically tested.
- ∴ Double-sewn.
- ∴ Washable.
- ∴ Index mark for exact positioning.
- ∴ Clear indication of size and control mark for arm circumference.
- ∴ Extra thick, highly flexible tube. For a long life.
- ∴ Proven reliability. Absolutely airtight system.

	GAMMA G7/G5/GP	Single-tube cuffs (cpl.)		
		Size	Circumference/cm	
	Infant [01]	6x28	8–13	<b>M-000.09.700</b>
	Child [02]	10x34	13–20	<b>M-000.09.702</b>
	Adult small [03]	14x53	20–29	<b>M-000.09.704</b>
	Adult [04]	14x58	29–41	<b>M-000.09.619</b>
	Adult large [05]	17x70	35–47	<b>M-000.09.706</b>
	Thigh [06]	20x86	41–59	<b>M-000.09.615</b>

	GAMMA XXL LF	Twin-tube cuffs (cpl.)		
		Size	Circumference/cm	
	Infant [01]	6x28	8–13	<b>M-000.09.701</b>
	Child [02]	10x34	13–20	<b>M-000.09.703</b>
	Adult small [03]	14x53	20–29	<b>M-000.09.705</b>
	Adult [04]	14x58	29–41	<b>M-000.09.629</b>
	Adult large [05]	17x70	35–47	<b>M-000.09.631</b>
	Thigh [06]	20x86	41–59	<b>M-000.09.625</b>





## HEINE GAMMA® STETHOSCOPIES

- ∴ **Solid chest piece** and ideal weight avoid stray noise from manipulation and ensure excellent resonance. Hygienic matt chrome finish.
- ∴ **Chest piece with non-chill rims** for the comfort of the patients.
- ∴ Ergonomic, chrome-plated binaurals. Individually adjustable.
- ∴ **High-quality Y-piece tubing** for perfect acoustics and sound reproduction. Length 56 cm.
- ∴ **Latex-free** materials.

### HEINE GAMMA® 3.1 pulse stethoscope

**For fine acoustic performance.**



- ∴ **Stethoscope with solid flat chest piece.** The chest piece can be easily inserted under the sphygmomanometer cuff.
- ∴ **High-quality membrane**, 44 mm diameter
- ∴ **Single-tube construction** with excellent sound transmission.
- ∴ **Includes ear olives** (large/soft) for sound insulation.
- ∴ **Optional available:** Ear olives, (small/hard) (M-000.09.946).

GAMMA 3.1

M-000.09.941

### HEINE GAMMA® 3.2 acoustic stethoscope

**For excellent acoustic performance.**



- Technical data as GAMMA 3.1, but with a double chest piece.
- ∴ **Combined double chest piece** with two different frequency ranges to choose from: A high-quality membrane on one side and a conical acoustic head on the other side.
  - ∴ **High-quality membrane**, 44 mm diameter for excellent acoustic performance and sound transmission.
  - ∴ **Cone diameter 30mm.**

GAMMA 3.2

M-000.09.942

### HEINE GAMMA® 3.3 acoustic stethoscope

**For the examination of children.**



- Technical data as GAMMA 3.2.
- ∴ **Reduced contact area** of 31 mm makes GAMMA 3.3 ideal for examining children.

GAMMA 3.3

M-000.09.943

### HEINE GAMMA® C3 cardio stethoscope

**Specially developed for cardiology.**



- ∴ **Exceptional acoustic performance**, particularly in the cardiac frequency range.
- ∴ **Combined double chest piece** with two different frequency ranges. Instant selection of a double membrane on one side or a conical acoustic head on the other.
- ∴ **High-performance double membrane**, 45 mm diameter gives ideal sound transmission and perfect skin contact for exceptional sound reproduction.
- ∴ **Two-in-one tube system** for enhanced performance. Very supple, yet kink-resistant with exceptional acoustic reproduction.
- ∴ **Includes ear olives** (large/soft) and one pair of replacements (small/hard) for sound insulation.

GAMMA C3

M-000.09.944